

Figure : C5FK13ZD

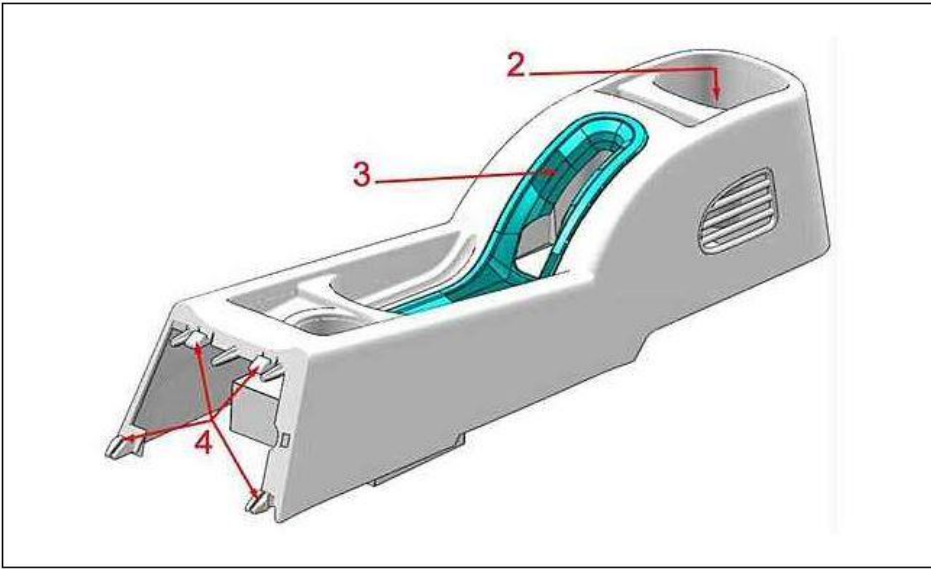


Figure : C5FK140D

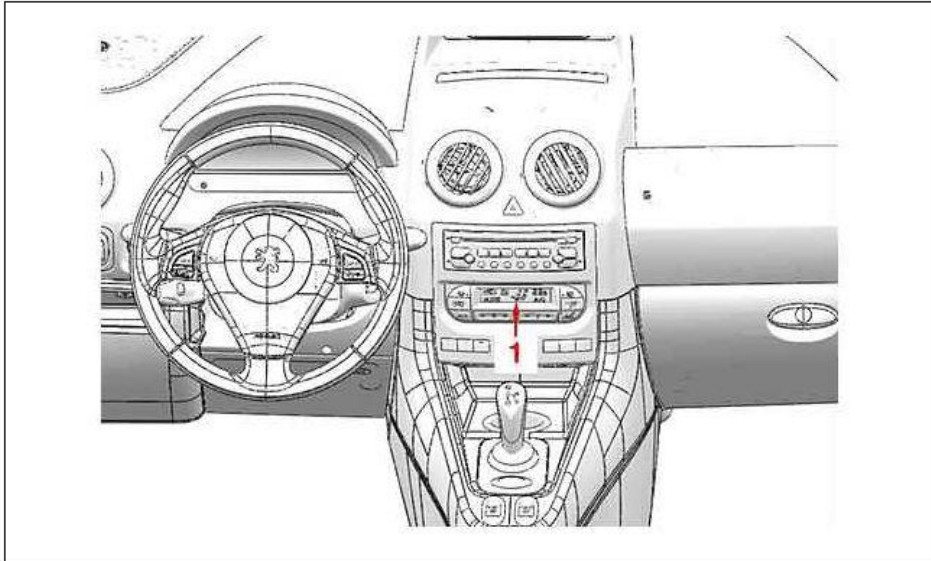


Figure : C5HKFEHD

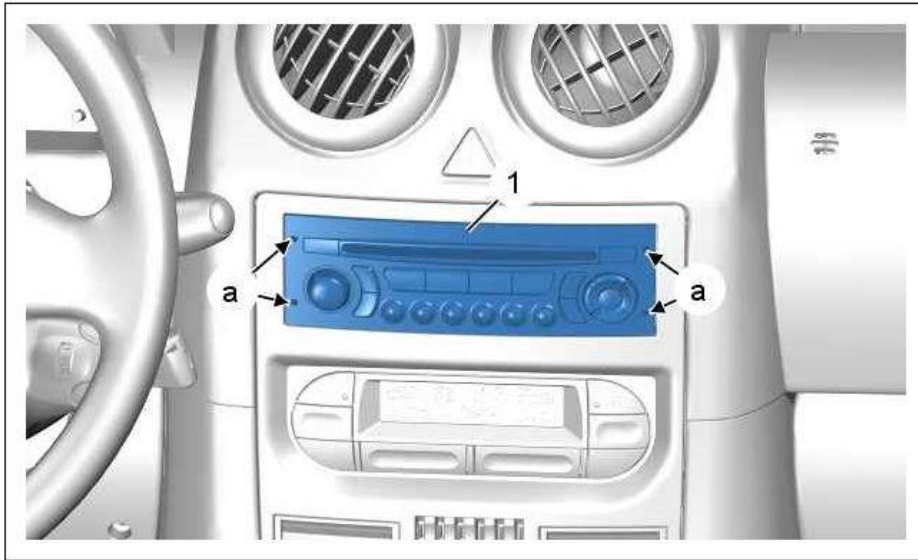


Figure : D5AG03ZD



Figure : D5AG03LD

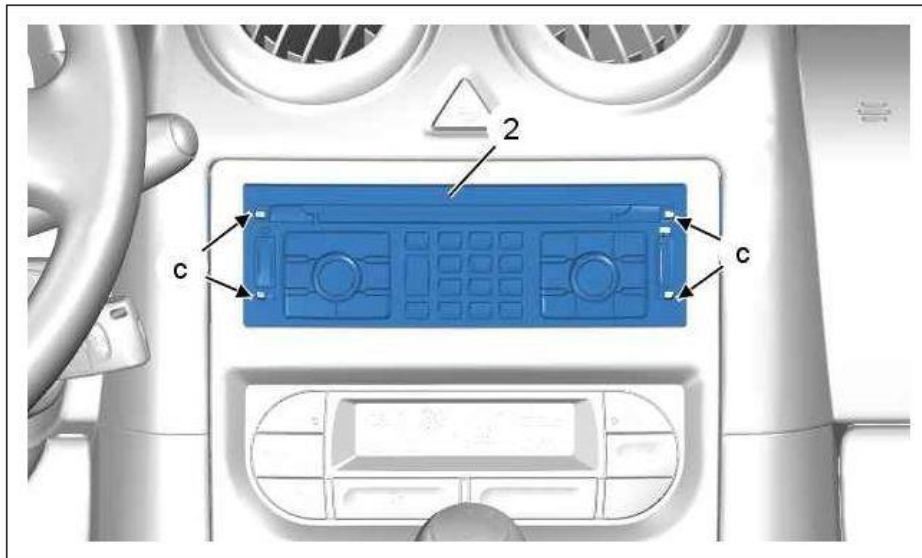


Figure : D5AG040D

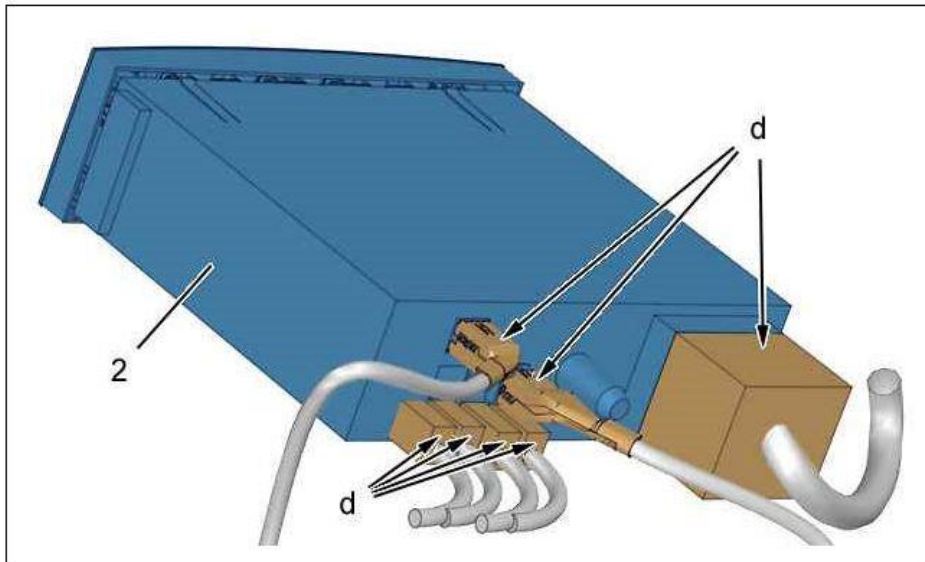


Figure : D5AG03SD

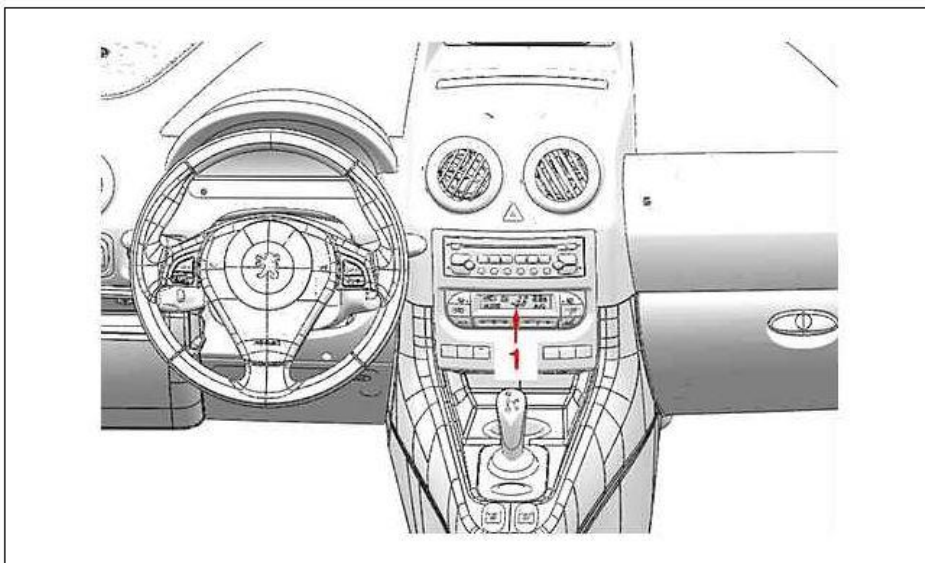


Figure : C5HKFEHD

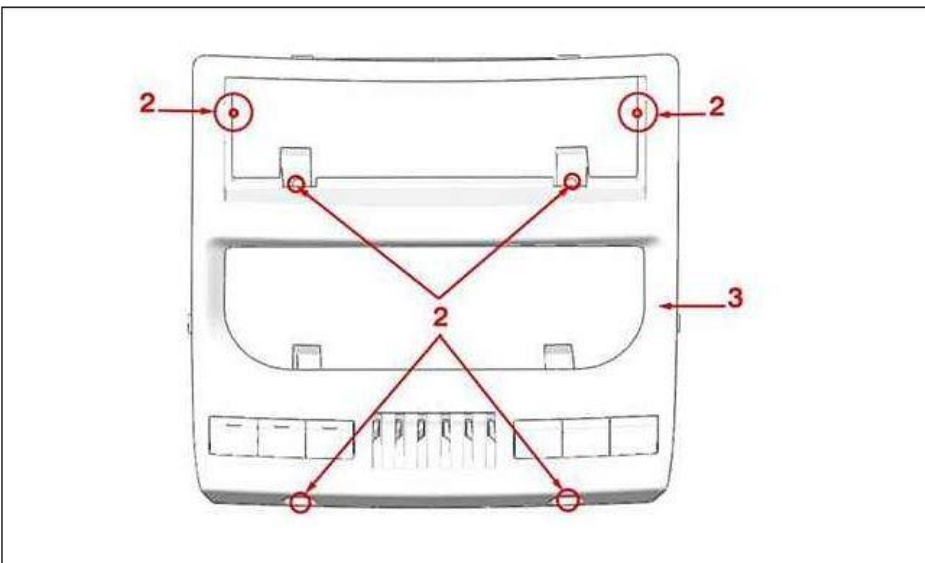


Figure : C5HKFFSD

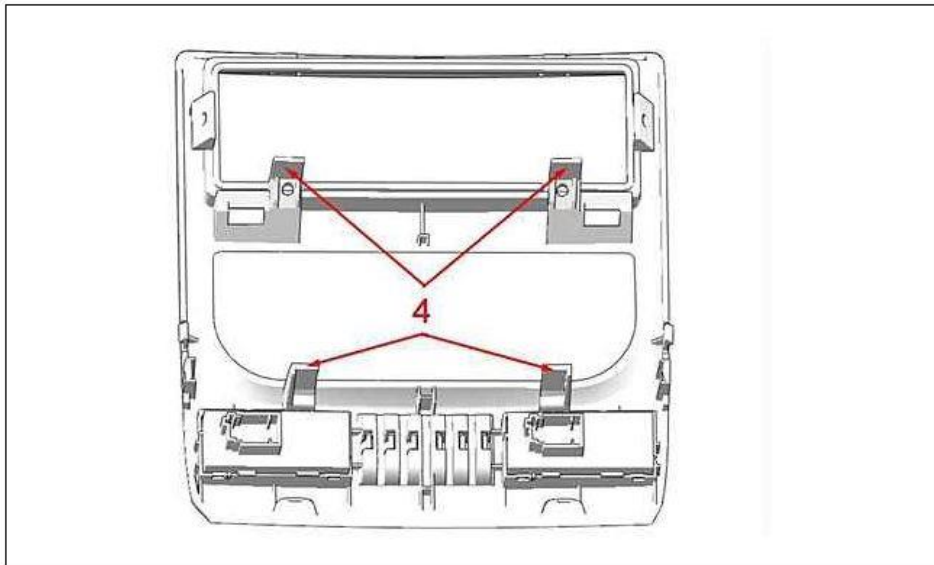


Figure : C5HKFEKD

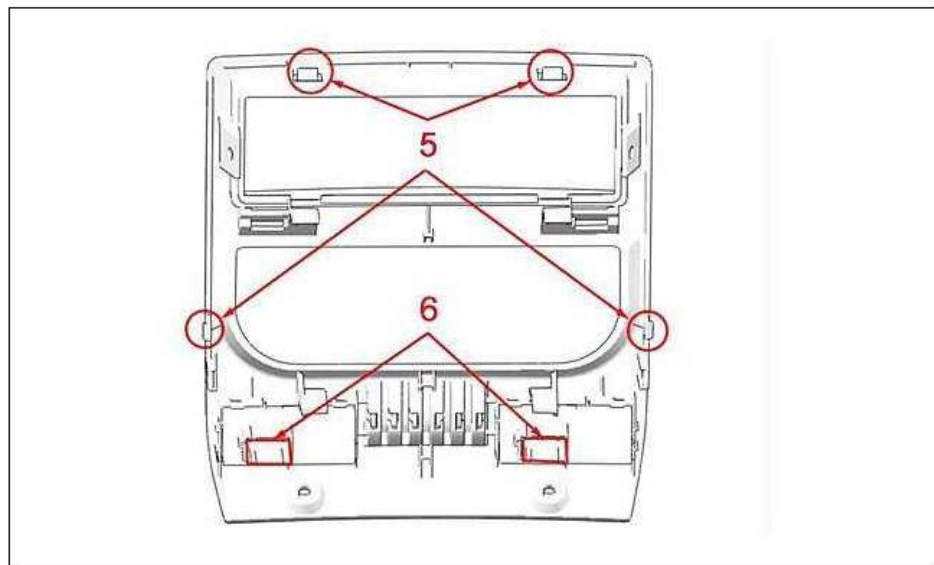


Figure : C5HKFELD

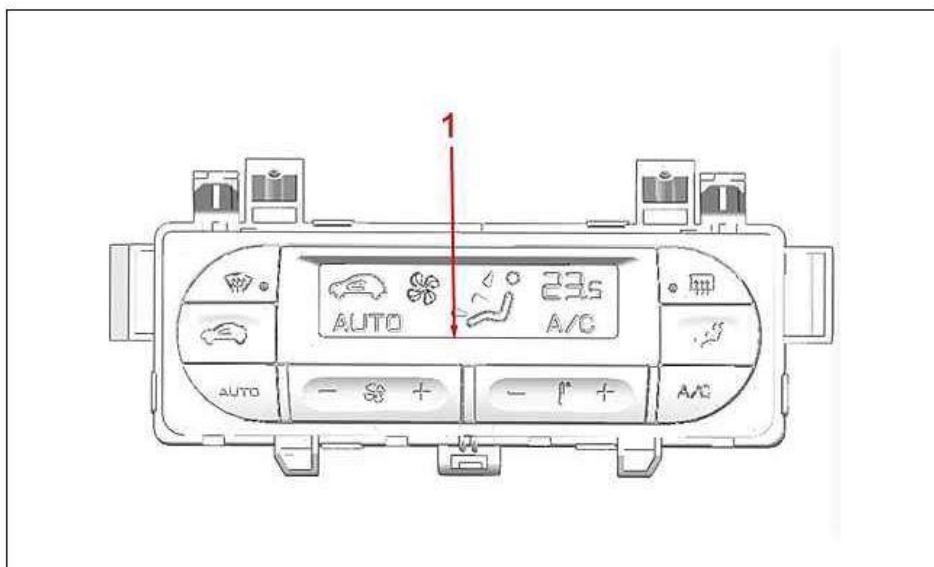


Figure : C5HKFEMD



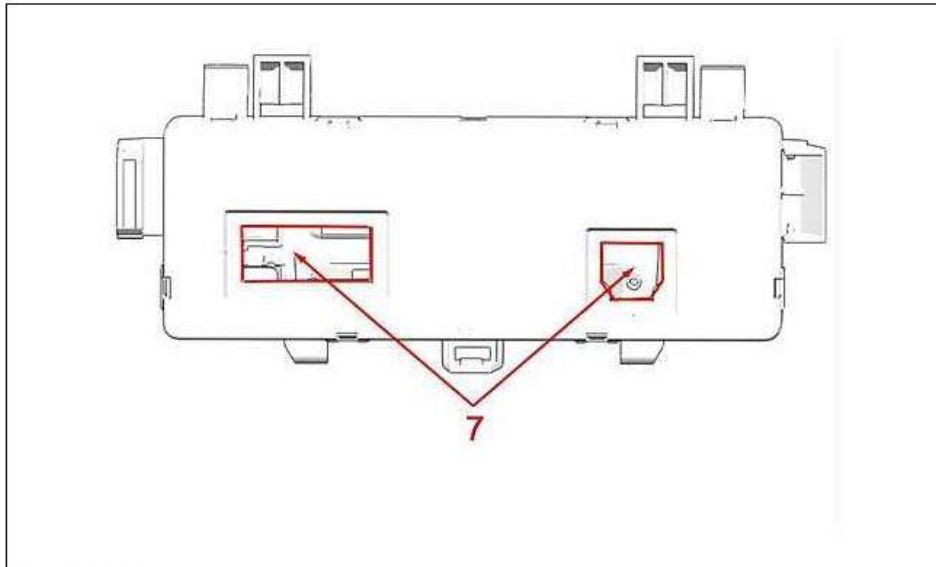


Figure : C5HKFEND

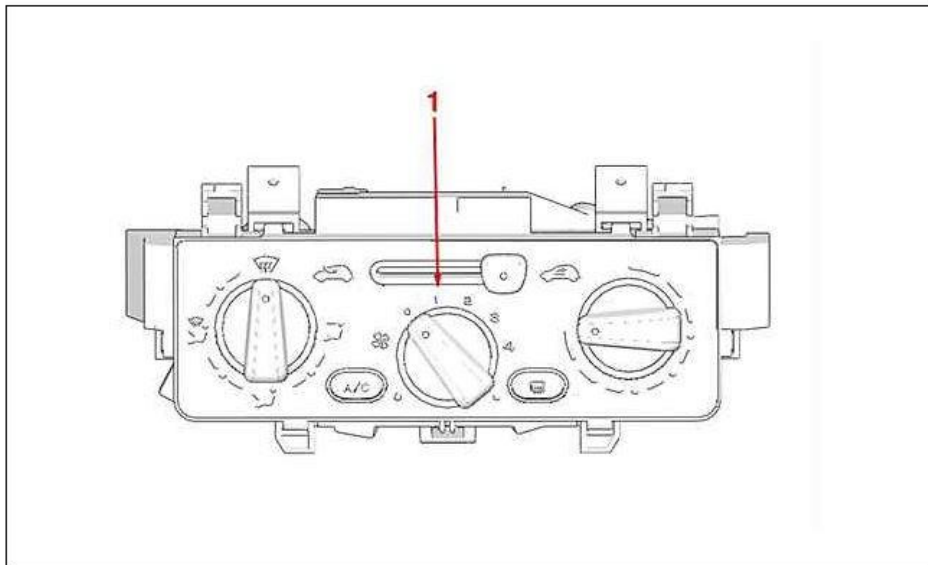


Figure : C5HKFEPD

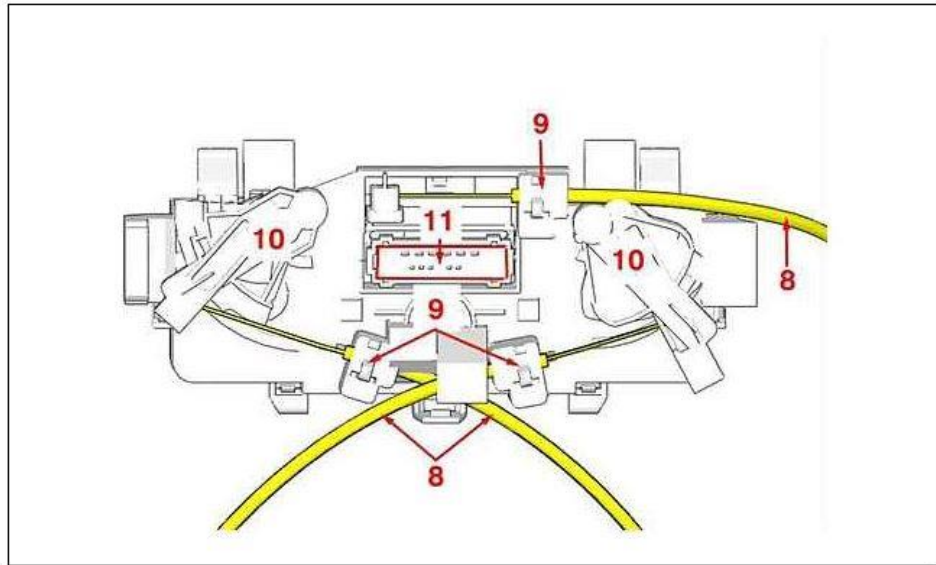


Figure : C5HKFEQD

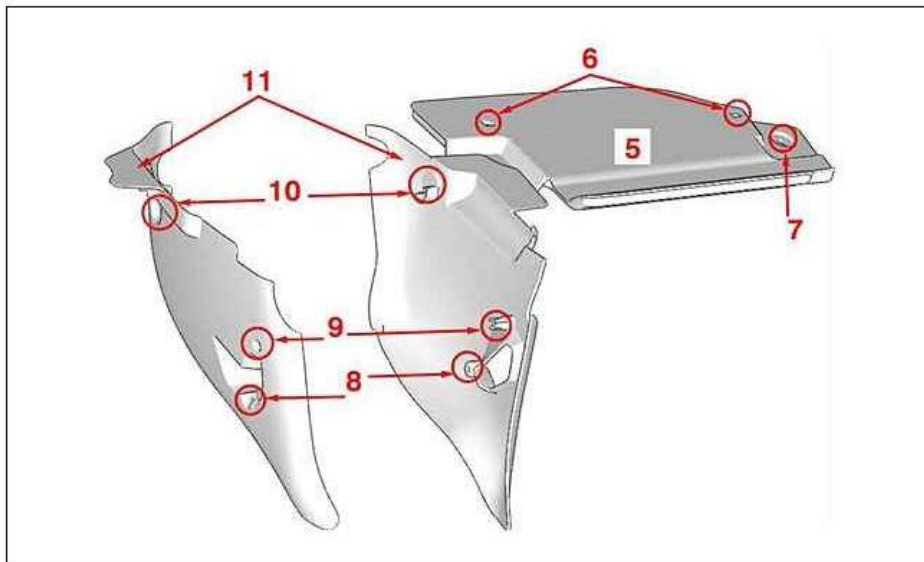


Figure : C5FK141D

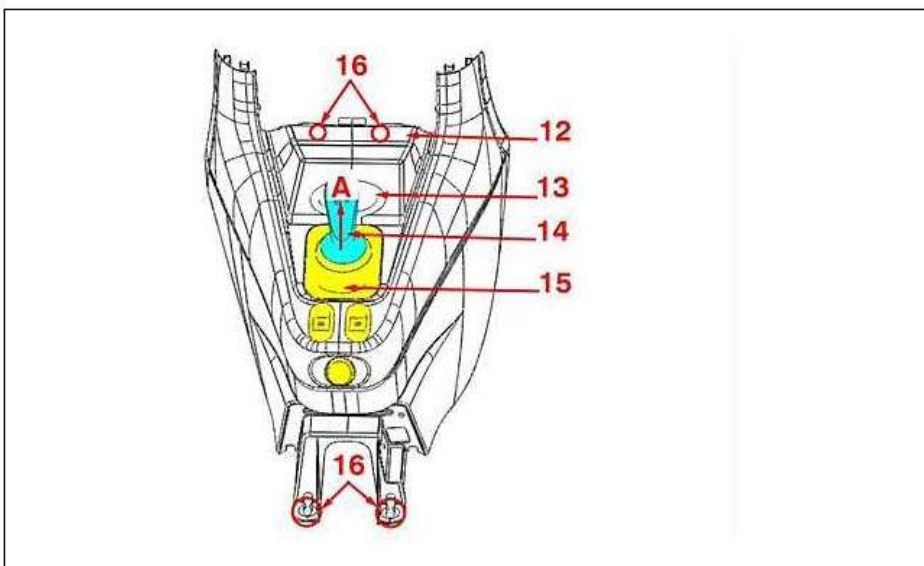


Figure : C5FK142D

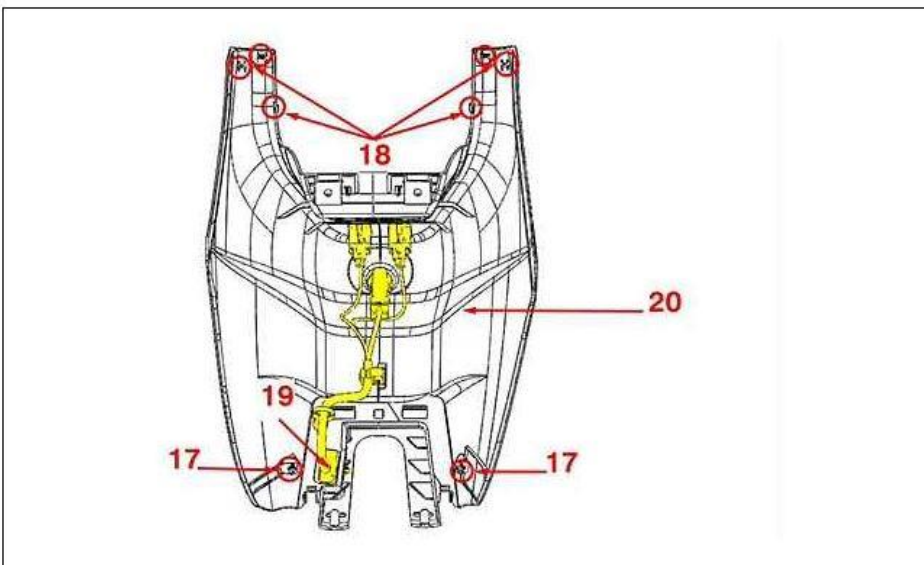


Figure : C5FK143D